



Take Control of Your Lighting.

Bright Light Systems BLP1100 is the only high-efficiency luminaire to provide a flicker-free, full spectrum white light for the high-mast market. Consuming 540 watts, the BLP1100 cuts energy costs by 50% when compared to traditional lighting technologies. Ninety degree field rotatable optics distribute light nearly three times more efficiently than 1000W high pressure sodium resulting in increased visibility, safety, and security. A 50,000 hour (L70) lamp life minimizes maintenance expense and enables a simple payback of typically less than three years. Delivering durability and superior performance, this fixture is ideal for ports, parking areas, rail and container yards, airports, and highway interchanges. Wireless control optional.

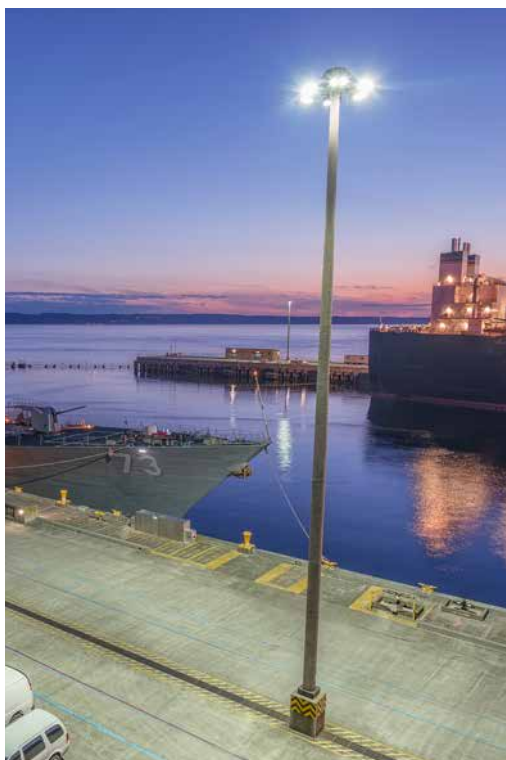
Features

- Reduce Energy Costs by 40%
- Enhanced Color Recognition
- Full Illumination in 60 Seconds
- Dimmable from 100% to 20%
- Easy Lamp Maintenance
- Rated Lifetime of 50,000 Hours
- Integrated Wireless Controls
- 5-Year Limited Warranty

Specifications

Illumination Source	2 High Powered LEPs (Light Emitting Plasma)
Lamp Type	STA 41-01
Lamp Lumens	46,000
Power Consumption	540 Watts
Power Factor	>.96
THD	< 20%
Optics	IES Type II, Type III, Forward Throw
Dimming Range	20 - 100%
Protective Lens	3/16" Clear Tempered Glass
Color Temperature	5,200K
CRI	75
Input Voltage	110V - 480V 50/60Hz
Rated Lamp Life	50,000 Hrs
Lumen Maintenance	70%
Finish	Basalt Gray with Zinc Undercoat for Harsh Environments
Housing	Marine Grade Aluminum
Cooling	Natural Convection
Operating Temperature	-40°C to 45°C
Measurements	25"L x 16"W x 7"H
Weight	49 lbs (22.2 kg)
Warranty	5-Year Limited Warranty
Approvals	RCM, CE, UL1598 (Pending)

Application



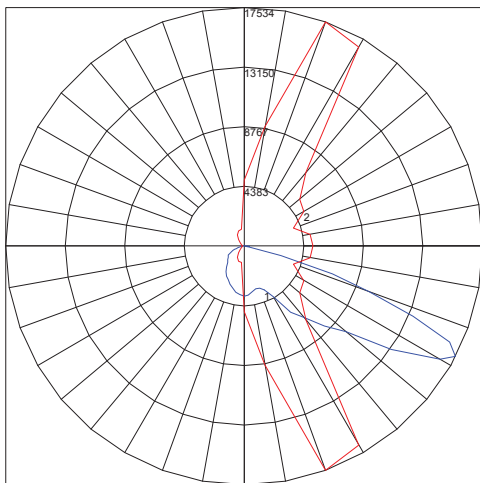
Additional

All components are UL recognized and rated from -40°C to + 45°C ambient. Luminaire is supplied with high power factor (>.96) and low THD (<20%) AC/DC power supply. Surge protection built in up to 20kV/10kA suppression in accordance with IEEE/ANSI C62.41.2 Category C and UL1449. Finish passes 1000 hour salt fog test per ASTM B117 and D2247 and is ROHS compliant. Includes standard trunnion mount. Optional tenon mount that fits 2.375" (60mm) O.D. tenon is available upon request. Designed and manufactured in the USA.

*Specifications subject to change without notice

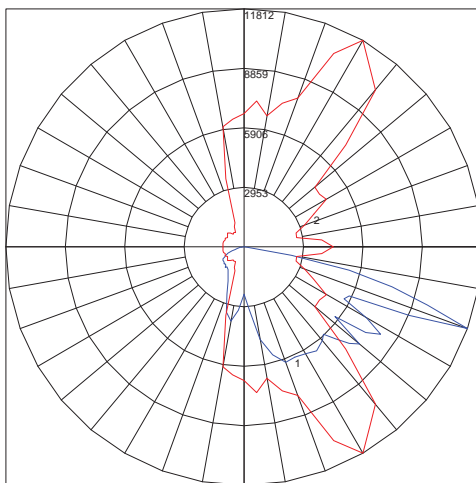
Photometrics

Type II (Wide)



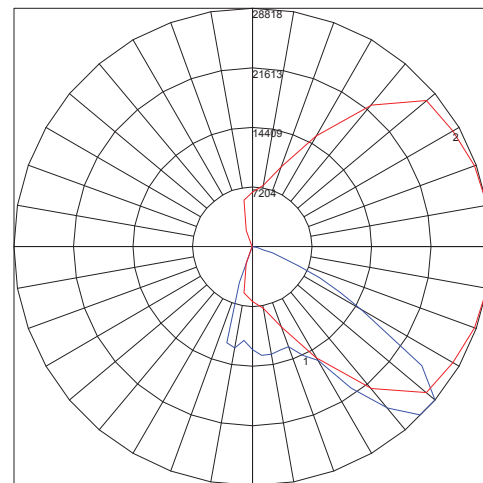
Plot Generated With Nominal STA-41-01 Light Source, Max Candela = 35068
Located At Horizontal Angle = 70, Vertical Angle = 62.5
#1 - Vertical Plane Through Horizontal Angles (70-250) Through Max. Cd.
#2 - Horizontal Cone Through Vertical Angle (62.5) Through Max. Cd.

Type III (Medium)



Plot Generated With Nominal STA-41-01 Light Source, Max Candela = 23624
Located At Horizontal Angle = 60, Vertical Angle = 70
#1 - Vertical Plane Through Horizontal Angles (60-240) Through Max. Cd.
#2 - Horizontal Cone Through Vertical Angle (70) Through Max. Cd.

Forward Throw



Plot Generated With Nominal STA-41-01 Light Source, Max Candela = 28818
Located At Horizontal Angle = 0, Vertical Angle = 50
#1 - Vertical Plane Through Horizontal Angles (0-180) Through Max. Cd.
#2 - Horizontal Cone Through Vertical Angle (50) Through Max. Cd.

Energy Efficiency

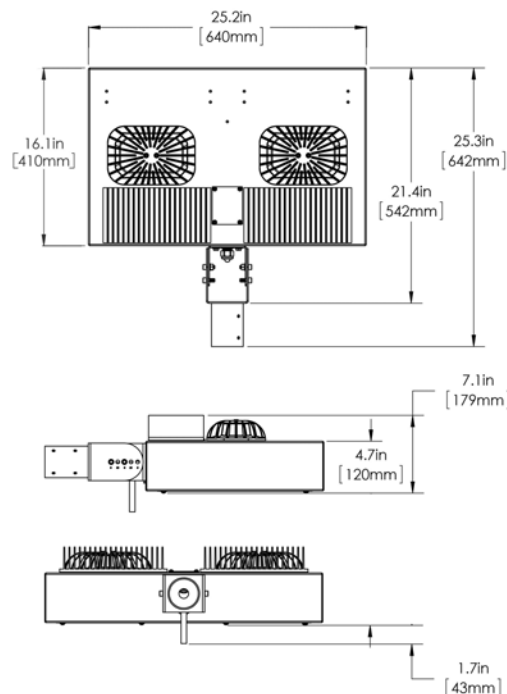
Light Source	1000W HID	BLP1100
System Wattage	1200W	540W
Daily Usage	12 Hrs	12 Hrs
Annual Energy Consumption	5256 kWh	2365 kWh
Cost per kWh	\$0.12	\$0.12
Annual Operating Cost	\$631	\$284
Rated Lifetime	15,000 Hrs	50,000 Hrs
Replacement Lamps per Year	.29	.09
Maintenance Cost per Lamp	\$300	\$400
Annual Maintenance Cost	\$87	\$36
Total Annual Cost	\$718	\$320
Savings per Fixture		\$398
Estimated Utility Rebate	N/A	\$145
Total Savings per Fixture	N/A	\$543
Total Annual Savings	500 units	\$271,500

¹Maintenance Cost includes Labor, Lift Expense, Ballast, etc.

²Rebate Based on \$0.05 per Annual kWh Saved, Utility Participation Varies

³Wireless Controls Increases Annual Energy Savings by 30%

Dimensions



Ordering Information

Product	-	Lamp	Color Temp	Distribution	Mounting	Voltage	Options
BLP1100	-	P1 41-01	52K 5200K	B2 Type II (Wide) S3 Type III (Medium) B3 Forward Throw	M Tenon C Trunnion	27 110-277V 34 347V 48 480V	WC Wireless Control BG Bird Guard

Example: **BLP1100-P152KB3M48**

Note: Wireless controls are used with the Bright Light Management System (BLMS)