



Efficiency. Intelligence. Durability.

Bright Light Systems BLP500 luminaire utilizes innovative Light Emitting Plasma™ (LEP) technology to deliver a full spectrum, brilliant white light for high bay applications. Consuming only 270 watts, the BLP500 cuts energy costs nearly in half when compared to traditional lighting technologies. A 50,000 hour (L70) lamp life minimizes costly maintenance expenses and enables a rapid return on investment of typically less than three years. Lamp is serviced from the outside of housing ensuring a dust and debris free reflector. Comes with highly reflective, die-formed optics with choice of 55° Wide, 22° Narrow, or Aisleway reflector. Lens is made of clear tempered high-transmission soda-lime glass. Wireless control is optional.

Features

- Reduce Energy Costs by 40%
- Increased Color Recognition
- Full Illumination in 60 Seconds
- Dimmable from 100% to 20%
- Easy Lamp Maintenance
- Rated Lifetime of 50,000 Hours
- ETL / CE Certification
- Integrated Wireless Controls
- 5-Year Limited Warranty

Specifications

Illumination Source	1 High Powered LEP (Light Emitting Plasma)
Lamp Options	STA 41-01 or STA 41-02
Power Consumption	270 Watts
Source Lumens	23,000 (-01) or 17,000 (-02)
Fixture Lumens	21,000 (-01) or 15,500 (-02)
Optics	55° Wide or 22° Narrow or Aisleway
Dimming Range	20 - 100%
Protective Lens	3/16" Clear Tempered Glass
Color Temperature	5,700K (-01) or 5,200K (-02)
CRI	75 (-01) or 95 (-02)
Input Voltage	90V - 277V or 347V - 480V 50/60Hz
Rated Lamp Life	50,000 Hrs
Lumen Maintenance	70%
Finish	TGIC Polyester Powder Coat in Natural
Construction	Aerospace Aluminum
Cooling	Natural Convection
Operating Temperature	-40°C to 45°C
Measurements	11"L x 11"W x 20"H
Weight	27 lbs (12.25 kg)
Warranty	5-Year Limited Warranty
Approvals	ETL, CE, IP65

Application



Additional

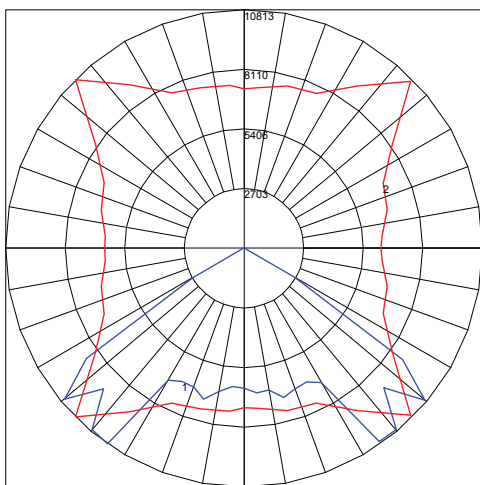
All components are UL recognized and rated from -40°C to + 45°C ambient. Luminaire is supplied with high power factor (>.94) and low THD (<20%) AC/DC power supply. Surge protection built in up to 2kV suppression in accordance with IEEE/ANSI C62.41.2. Comes with mounting hook and a 60" power cord. Optional outlet plug or 5-0 J-box, conduit mount is available upon request. Designed and assembled in the USA.



*Specifications subject to change without notice

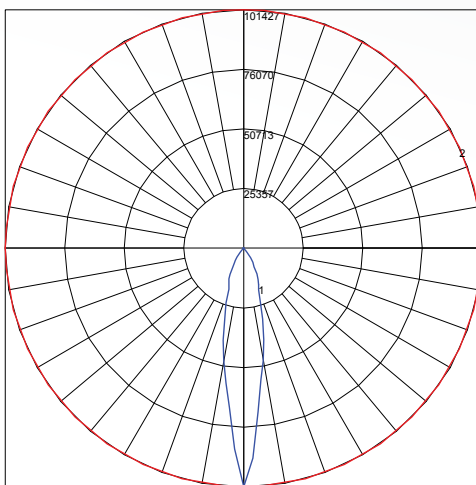
Photometrics

55° Wide Distribution



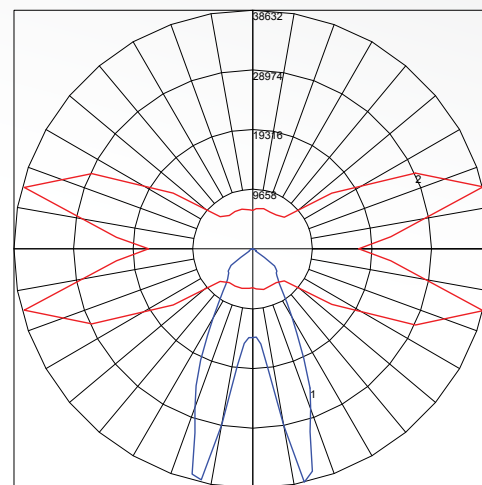
Plot Generated With Nominal STA-41-01 Light Source, Max Candela = 10813
 Located At Horizontal Angle = 135, Vertical Angle = 35
 #1 - Vertical Plane Through Horizontal Angles (135-315) Through Max. Cd.
 #2 - Horizontal Cone Through Vertical Angle (35) Through Max. Cd.

22° Narrow Distribution



Plot Generated With Nominal STA-41-01 Light Source, Max Candela = 101427
 Located At Horizontal Angle = 0, Vertical Angle = 0
 #1 - Vertical Plane Through Horizontal Angles (0-180) Through Max. Cd.
 #2 - Horizontal Cone Through Vertical Angle (0) Through Max. Cd.

Aisleway Distribution



Plot Generated With Nominal STA-41-01 Light Source, Max Candela = 38632
 Located At Horizontal Angle = 15, Vertical Angle = 12.5
 #1 - Vertical Plane Through Horizontal Angles (15-195) Through Max. Cd.
 #2 - Horizontal Cone Through Vertical Angle (12.5) Through Max. Cd.

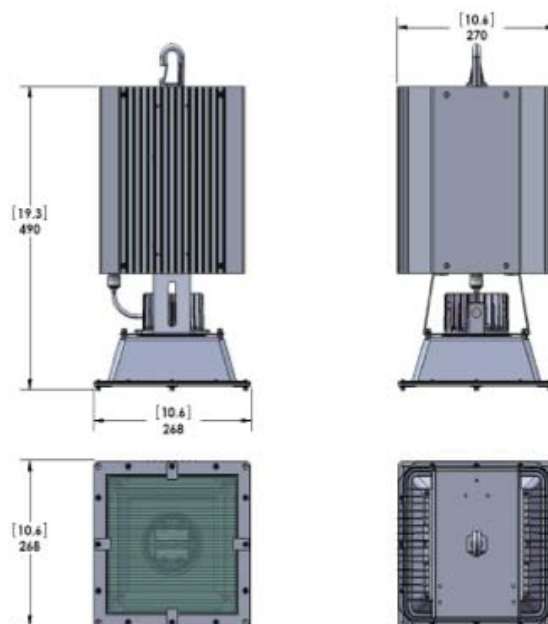
Energy Efficiency

Light Source	400W HID	BLP500
System Wattage	470W	270W
Daily Usage	12 Hrs	12 Hrs
Annual Energy Consumption	2058 kWh	1182 kWh
Cost per kWh	\$0.12	\$0.12
Annual Operating Cost	\$247	\$142
Rated Lifetime	15,000 Hrs	50,000 Hrs
Replacement Lamps per Year	.3	.09
Maintenance Cost per Lamp	\$200	\$200
Annual Maintenance Cost	\$60	\$18
Total Annual Cost	\$307	\$160
Savings per Fixture		\$147
Estimated Utility Rebate	N/A	\$44
Total Savings per Fixture	N/A	\$191
Total Annual Savings	200 units	\$38,200

¹Maintenance Cost includes Labor, Lift Expense, Ballast, Etc.

²Rebate Based on \$0.05 per Annual kWh Saved, Utility Participation Varies

Dimensions



Ordering Information

Product	Lamp	Distribution	EMC	Voltage	Lens	Accessories
BLP500	P1 41-01 P2 41-02	S 22° Narrow W 55° Wide A Aisle Way	M Mesh N No Mesh	12 120V 20 208V 24 240V 27 277V	CL Clear Smooth Tempered SL Solite (Prismatic) Tempered AR Anti-Reflective High Transmittance	DM Dimming WC Wireless Controller JB 5-0 J-Box Direct Conduit PG 277V Plug

Example: **BLP500-P1WM27CLDM**

Note: With mesh, luminaire is FCC Part 18 Class A compliant. Dimming not available with outlet plug accessory.