



Take Control of Your Lighting.

Bright Light Systems Nova FL (Flood/Area) LED luminaire is specifically designed for harsh operating environments found in ports, airports, and rail yards. It offers superior performance and coverage over large areas and comes with a variety of optical distributions. Consuming only 290 watts, the Nova FL dramatically reduces energy costs by almost 40% when compared to traditional HID lighting. Our high-brightness LED Modules are IP68 rated and come with a UV resistant, high-impact polycarbonate lens. A 100,000 hour (L80) lifetime minimizes maintenance expense and enables a simple payback of typically less than three years. Wireless control integrates with the Bright Light Management System (BLMS).



Features

- Reduce Energy Costs by 40%
- Enhanced Color Recognition
- LED Lifetime L80 @ 100,000 Hours
- IP68 Rated LED Modules
- Wireless Lighting Control Ready
- Versatile optical packages
- Suitable for Wet Location
- 5-Year Limited Warranty

Specifications

Light Source	5 High Brightness LED modules
Fixture Lumens	32,500
Power Consumption	290 Watts
Fixture Efficacy	112 lm/w
Lumen Maintenance (L80)	100,000 Hrs
Power Source	High-quality Driver Rated for Hazardous Location
Driver Lifetime	100,000 Hrs @ 65°C Case Temperature
Input Voltage	120V - 480V 50/60Hz
Power Factor	>.98 @ 277V
THD	<15%
Surge Protection	10kV/10kA
Color Temperature	3000K, 4000K, 5000K, 5700K
CRI	>70/80
Finish	Basalt Gray with Zirconium Undercoat
Housing	High-Strength AL5052 Aluminum and SS304 Chassis
Ingress Protection	IP67 Power Supply/IP68 LED Modules
Mount	Trunnion or Tenon/Yoke
Operating Temperature	-40°C to 40°C
Measurements	18.7"L x 17.8"W x 10.3"H
Weight	31 lbs (14.1 kg)
EPA (Windload)	.96 ft ²
Warranty	5-Year Limited Warranty
Approvals	UL1598 Wet Location, DLC v4.0, CE

Application



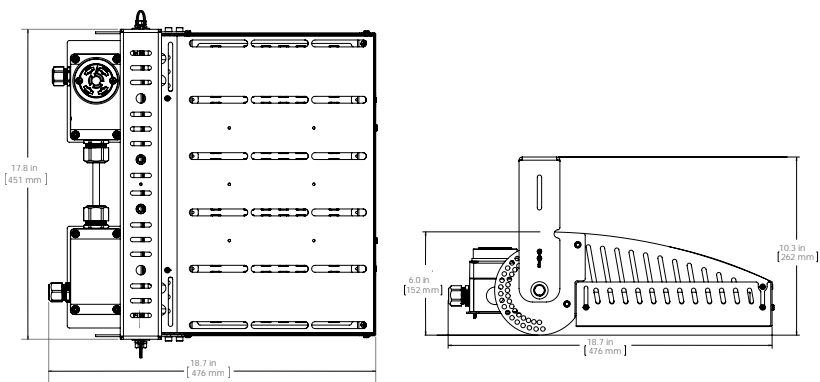
Additional

All components are UL recognized and rated from -40°C to +40°C ambient. Luminaire is supplied with Type HL (Hazardous Location) AC/DC power supply with high power factor (>.98) and low THD (<15%). Surge protection up to 10kV/10kA suppression in accordance with IEEE/ANSI C62.41.2 Category C High and UL1449. Durable housing is constructed from AL5052 aluminum and 304 stainless steel. UV-resistant TGIC powder coat finish that is AAMA 2603 and ROHS compliant. Mounting options include tenon/yoke slip fitter for 2.375" (60mm) O.D. tenon or standard trunnion. Designed and manufactured in the USA.

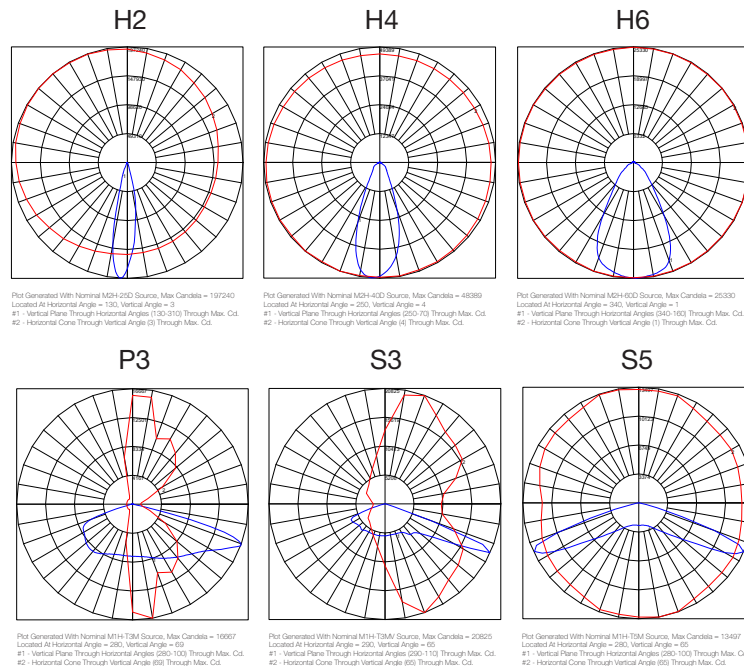


*Specifications subject to change without notice
*Actual wattage may differ by +/- 8% when operating between 120V-480V

Dimensions



Photometrics



Energy Efficiency

Light Source	400W HPS	NOVA FL LED
System Wattage	470W	290W
Daily Usage	12 Hrs	12 Hrs
Annual Energy Consumption	2058 kWh	1270 kWh
Cost per kWh	\$0.13	\$0.13
Annual Operating Cost	\$268	\$165
Rated Lifetime	15,000 Hrs	100,000 Hrs
Replacement Lamps per Year	.29	.05
Maintenance Cost per Lamp	\$200	\$200
Annual Maintenance Cost	\$58	\$10
Total Annual Cost	\$326	\$175
Savings per Fixture		\$151
Estimated Utility Rebate	N/A	\$39
Total Savings per Fixture	N/A	\$190
Savings per Installation	500 units	\$95,000

Intelligently Controlled Lighting



*Maintenance Cost includes Labor, Lift Expense, Ballast, Etc.

*Rebate Based on \$0.05 per Annual kWh Saved, Utility Participation Varies

*Use of BLMS Wireless Controller Increases Annual Energy Savings by 30%

Ordering Information

Product	Modules (Flux)	Color	Distribution	Mount	Voltage	Options
NOVAFL	L05 32,500 lm @1050mA	C730K 3000K C740K 4000K C750K 5000K C757K 5700K	H2 25 Degree, Flood H4 40 Degree, Flood H6 60 Degree, Flood P3 Medium, Asymmetric S3 Forward Throw, Asymmetric S5 Area, Wide	T Trunnion	12 120-208V 24 240V 27 277V 34 347V 48 480V	BG Bird Guard PC Twist-lock Photocontrol SC Twist-lock Shorting Cap SF Slipfitter Mount for 2-3/8" O.D. Tenon WC Twist-Lock BLMS Wireless Controller
Example: NOVAFL-L05C740KS3T27			Note: Wireless controller integrates with the Bright Light Management System (BLMS)			