

Model# NOVA FL LED



CAUTION: BEFORE PERFORMING ANY WORK, BE SURE ALL POWER IS OFF PRIOR TO INSTALLING LUMINAIRES. PLEASE READ AND FOLLOW ALL SAFETY INSTRUCTIONS!

- To avoid the risk of death, personal injury or property damage from fire, electric shock, falling parts, cuts/abrasions, and other hazards please read all warnings and instructions included with the fixture box and all fixture labels.
- Installation and maintenance of luminaires should be performed by a *qualified electrician* only, in accordance with all applicable electrical codes.
- **DO NOT INSTALL DAMAGED PRODUCT!** This luminaire has been properly packaged so that no parts should have been damaged during transit. Inspect to confirm. Any part damaged or broken during or after assembly should be replaced via RMA.
- **WARNING RISK OF ELECTRIC SHOCK:** Disconnect or turn OFF power before installation or servicing. Verify that supply voltage is correct by comparing it with the luminaire label information. Luminaire must be connected to a wiring system with an equipment-grounding conductor.
- **WARNING RISK OF BURN:** Allow lamp/fixture to cool before handling. Do not touch enclosure or light source. Do not exceed maximum wattage marked on luminaire label. Do not operate in close proximity to persons, combustible materials or substances affected by heat or drying.
- **WARNING RISK OF PERSONAL INJURY:** Wear gloves and safety glasses at all times when installing or servicing the luminaire. Avoid direct eye exposure to the light source while it is on.
- These instructions may not address all details or variations in equipment or provide every possible contingency to meet in connection with installation, operation, or maintenance. For further information please contact Bright Light Systems, Inc. at <http://www.brightlightsystems.com>.

Regulatory Compliance

This device complies with Part 15 of the FCC Rules. Operation is subject to the following two conditions: (1) this device may not cause harmful interference, and (2) this device must accept any interference received, including interference that may cause undesired operation.

Introduction

Bright Light Systems Nova FL (Flood/Area) LED luminaire is specifically designed for harsh operating environments found in ports, airports, highways, warehouses and rail yards. It offers superior performance and coverage over large areas and comes with a variety of optical distributions. Consuming only 290 watts, the Nova FL dramatically reduces energy costs by almost 40% when compared to traditional HID lighting. Our high-brightness LED Modules are IP68 rated and come with a UV resistant, high-impact polycarbonate lens. Luminaire is UL/cUL 1598 safety listed to 40°C. The RCM marking of this product applies to AS/NZS CISPR11:2004 (EMC) "Limits and methods of measurement of radio disturbance characteristics of industrial, scientific, and

medical equipment". This product is designed to conform to AS/NZS 60598 "Luminaires, general requirements and tests". Suitable for operation in wet locations.

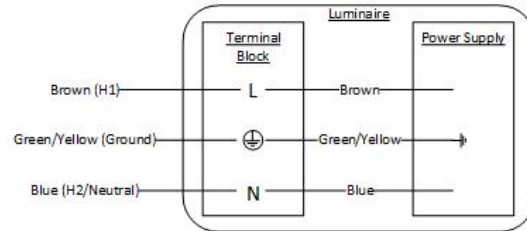
Installation

Materials Required

DESCRIPTION	USE
Phillips Screwdriver #3	Terminal Block enclosure, Chassis hardware, Glare Shield
9/16" Wrench	Trunnion hex head cap screws
1/2" Wrench	Slipfitter hex head cap screws
11/32" Torque Wrench	Power Supply hex nuts

Luminaire Wiring

Brown	+ (H1)
Blue	- (H2/Neutral)
Green/Yellow	⊥ (Earth/Ground)



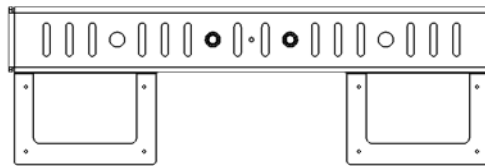
Mounting

Trunnion mount comes standard with the NOVA FL LED luminaire. Use standard trunnion or optional slipfitter mount for mounting heights up to 60 meters or 200 feet. Luminaire offers preset adjustable angles in 5 degree increments above/below horizontal.

Trunnion Mount

The trunnion bracket assembly is used for mounting luminaire to a cross arm or truss. It contains two 3/8"-16 weld nuts (for slipfitter mount) and two 1/2" holes spread 10" apart for accommodating 1/2" bolt screws.

Top View

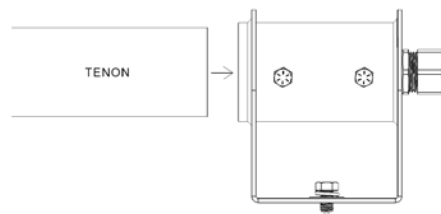


To install:

1. Verify the luminaire voltage listed on the product label is the same as the voltage to be supplied to the luminaire.
2. Fasten fixture with 1/2" bolts through holes/slots in trunnion bracket assembly to recommended torque of 40 foot lbs. Avoid mounting on lightweight cross members which may vibrate or flex excessively.
3. Using Phillips head screwdriver, loosen four (4) fastener screws on cover of terminal block enclosure. Terminal block enclosure is the polycarbonate enclosure with the product label affixed to the top. Retain enclosure cover.
4. Pull main power feed leads (by others) through loosened cord grip on terminal block enclosure.
5. Make all electrical connections per NEC or any applicable local codes.
6. Tighten and seal terminal block enclosure cover using Philips screwdriver. Recommended torque is 7 inch lbs.
7. Tighten cord grip on terminal block enclosure.
8. Adjust vertical angle accordingly using the clevis fastener and pre-defined slots on side of trunnion bracket assembly.

Slipfitter Mount

The slipfitter adapter is used for mounting to a horizontal or vertical tenon. It accommodates a 2-3/8" (60mm) O.D. tenon and comes with four (4) stainless steel hex head cap screws.



To install:



1. Verify the luminaire voltage listed on the product label is the same as the voltage to be supplied to the luminaire.
2. Attach slipfitter adapter to trunnion bracket weld nuts using two (2) 9/16" hex head cap screws (supplied), two (2) 316 stainless steel split-lock washers (supplied) and two (2) 316 stainless steel flat washers (supplied).
3. Loosen four (4) hex head cap screws (supplied) and raise luminaire to support tenon (by others).
4. Slide adapter over support tenon (by others) and ensure the tenon pipe hits the slipfitter stop.
5. Using Phillips head screwdriver, loosen four (4) fastener screws on cover of terminal block enclosure. Terminal block enclosure is the polycarbonate enclosure with the product label affixed to the top. Retain enclosure cover.
6. Pull main power feed leads (by others) through slipfitter and then through loosened cord grip on terminal block enclosure.
7. Make all electrical connections per NEC or any applicable local codes.
8. Tighten and seal terminal block enclosure cover using Philips screwdriver. Recommended torque is 7 inch lbs.
9. Tighten cord grip on terminal block enclosure.
10. Firmly tighten four (4) 1/2" hex head cap screws on slipfitter and make sure luminaire is level.
11. Adjust horizontal angle and tighten 9/16" hex head cap screws attached to trunnion bracket.
12. Adjust vertical angle accordingly using the clevis fastener and pre-defined slots on side of trunnion bracket assembly.

Wireless

Units configured for a wireless controller will include an ANSI C136.41 Dimming Receptacle and external BLS LC211 controller. If no wireless controller included attach twist-lock mount shorting cap (supplied) to NEMA 5-pin receptacle.

Maintenance

Lamp Maintenance

The product is designed with the supplied LED Module(s) tray and it is strongly recommended that any LED module(s) change (if any) be made in accordance with the type and brand supplied. BLS is not responsible for the product performance if alternative LED Module(s) used.

1. Using Philips head screwdriver, loosen ten (10) pan head screws on outer chassis of fixture.
2. Remove glare shield from fixture.
3. Remove top cover plate from fixture.
4. Unscrew six (6) pan head screws on both front and back LED module tray reinforcement brackets.
5. Remove LED Module(s) tray from fixture.
6. Slide new LED Module(S) tray into place.
7. Attach reinforcement brackets and tighten screws.
8. Attach top cover plate and glare shield and tighten screws.

Driver/Power Supply Maintenance

1. Perform steps 1 through 5 above. Inside terminal block enclosure, disconnect power supply feeds from terminal block. Also, disconnect any low-voltage control wires if unit is equipped for wireless controller.
2. Unscrew four (4) hex head nuts and remove Power Supply from back of tray.
3. Attach new Power Supply and tighten four (4) hex head nuts.
4. Slide LED Module(s) tray back into place.
5. Run power supply cord through enclosure grommet.
6. Reattach power supply wires to terminal block.
7. Repeat step 8 above.

Cleaning Maintenance

The luminaire features a self-cleaning design, however, on occasion the lenses on the modules may get dirty and require cleaning to ensure continued photometric performance. Clean the module lenses with a damp, non-abrasive, lint-free cloth. If not sufficient, use mild soap or a liquid cleaner. Do not use an abrasive, strong alkaline or acid cleaner as damage may occur. Inspect the heat sinks on the modules to ensure that they are free of any obstructions or contamination. Clean with a non-abrasive cloth if necessary.

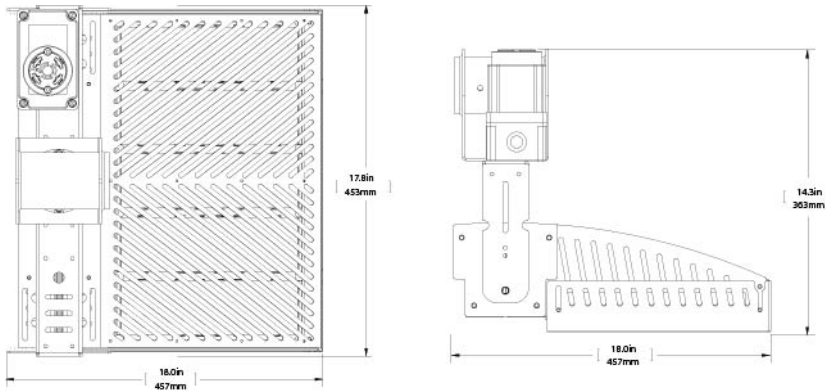
Specifications

Power Draw	<290 W at 277V / 480V input
------------	-----------------------------

Current @ 480V	1.7 A
Current @ 277	.95 A
Power Factor	0.95 @ 277V (min.)
PSU Leakage Current	1.0 mA at 480V
Inrush Product	1.94 A ² s
CCT	3000K (Warm), 4000K (Neutral), 5000K (Standard)
CRI	>74
L85	100,000 hrs.
Lumen Output	32,500 lumens
Power Supply	200,000 hrs. MTBF
Measurements	18"L x 17.8"W x 14.3"H
Weight	31 lbs (14.1 kg)
Approvals	UL1598 Wet Location Listed

*Specifications subject to change without notice.

Dimensions



Warranty

To Request a Return or Exchange

1. Send a request for a Return Material Authorization number (RMA) via email to support@brightlightsystems.com, or by phone at US +1 (404) 490-4132, Customer Service Dept. Returns or exchanges require BLS' prior written approval and afterwards an RMA will be issued.
2. Print the Return Label we will provide to you when we issue your RMA.
3. Prepare and ship your product:
 - a. Replace all items in original packaging (if available).
 - b. Remove, cover, or mark over any original shipping labels.
 - c. Write in bold letters on the outside of the package: "RMA <RMA number you were issued>"



- d. Return the package using the provided Return Label at an authorized shipper.

©2017 Bright Light Systems, Inc. All rights reserved. For informational purposes only. Content is subject to change at any time. Bright Light Systems, Inc., assumes no responsibility for claims arising out of improper or careless installation. Bright Light Systems Warranty and Limitation of Liability is published in the "Terms and Conditions" section at www.brightlightsystems.com/terms.html.